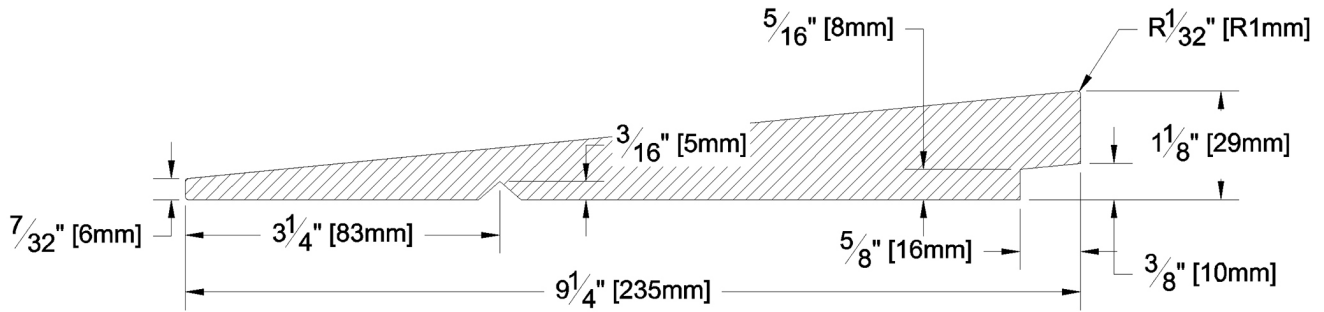




Siding



PRODUCT NAME: 5/4 x 10 Select Knotty RF Rabbeted Bevel KD WRC
 PATTERN NAME: Bevel

GRADE: Kiln Dried Select Tight Knot
 PROFILE: Rabbeted Bevel

NOMINAL THICKNESS: 5/4"
 NOMINAL WIDTH: 10"

FINISHED THICKNESS: 1-1/8"
 FINISHED WIDTH: 9-1/4"

LENGTH: 8' - 20' Even Length Only
 TRIM BACKS: 3' - 7' to be nested on 8' pallet
 GREEN / KILN DRIED: Kiln Dried
 GRAIN: MG
 SOLID / FJ: Solid
 PRODUCT LINE:

PULLED TO LENGTH / NESTED: Pulled to Length
 PACKAGE SIZE: 80 Pcs/Pkg
 HEIGHT: 4 Bundles
 WIDTH: 5 Bundles
 PIECES PER BUNDLE: 4
 END CAPS: Yes
 PAPER WRAP / BOXED: Paper Wrap
 FACE TO BE PROTECTED: Resawn Face

COMMENTS: Tip Thickness = 7/32" (0.2187), Butt Thickness = 1-1/4" (1.250) overall, Rabbet Width = 5/8" (0.625), Rabbet Thickness = 5/16" x 3/8" (0.3125 x 0.375)

LAST UPDATED:

August 22, 2018