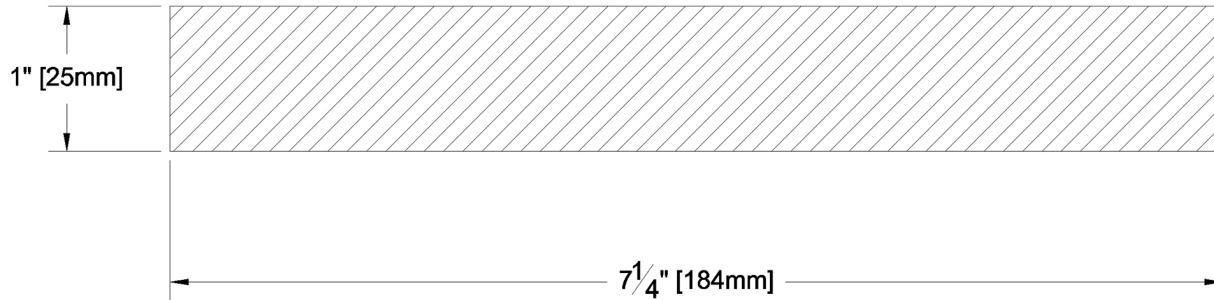




Fascia & Trim



PRODUCT NAME: 5/4 x 8 Aye & Btr FJ EG S1S2E KD WRC

GRADE: Finger Jointed

PATTERN NAME: Finish Boards

PROFILE: Resawn Face S1S2E

NOMINAL THICKNESS: 5/4"

FINISHED THICKNESS: 1"

NOMINAL WIDTH: 8"

FINISHED WIDTH: 7-1/4"

LENGTH: 16' or 20'

PULLED TO LENGTH / NESTED: Pulled to Length

TRIM BACKS: 12' & 8'

PACKAGE SIZE: 168 Pcs/Pkg

GREEN / KILN DRIED: Kiln Dried

HEIGHT: 28 Pcs

GRAIN: MG

WIDTH: 6 Pcs

SOLID / FJ: Finger Jointed

PIECES PER BUNDLE: n/a

PRODUCT LINE: Evergreen

END CAPS: No

PAPER WRAP / BOXED: Paper Wrap

FACE TO BE PROTECTED: Resawn Face

COMMENTS: Max 10% Trimbacks

LAST UPDATED:

August 22, 2018