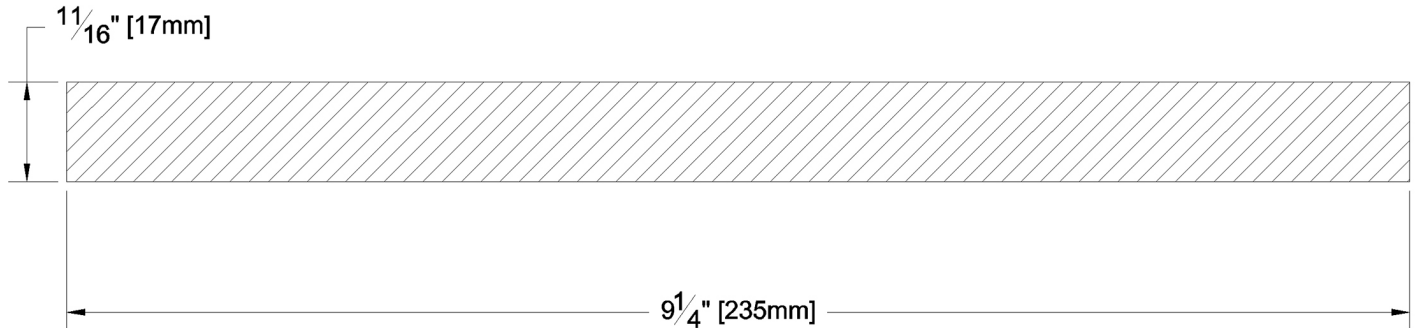




Fascia & Trim



PRODUCT NAME: 1 x 10 Aye & Btr FJ EG S1S2E KD WRC

PATTERN NAME: Finish Boards

NOMINAL THICKNESS: 1"

NOMINAL WIDTH: 10"

LENGTH: 16' or 20'

TRIM BACKS: 12' & 8'

GREEN / KILN DRIED: Kiln Dried

GRAIN: MG

SOLID / FJ: Finger Jointed

PRODUCT LINE: Evergreen

GRADE: Finger Jointed

PROFILE: Resawn Face S1S2E

FINISHED THICKNESS: $1\frac{1}{16}$ "

FINISHED WIDTH: 9-1/4"

PULLED TO LENGTH / NESTED: Pulled to Length

PACKAGE SIZE: 200 Pcs/Pkg

HEIGHT: 40 Pcs

WIDTH: 5 Pcs

PIECES PER BUNDLE: n/a

END CAPS: No

PAPER WRAP / BOXED: Paper Wrap

FACE TO BE PROTECTED: Resawn Face

COMMENTS: Max 10% Trimbacks

LAST UPDATED:

August 22, 2018