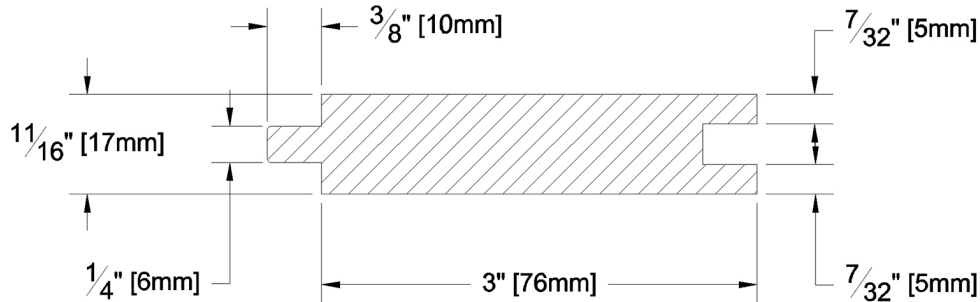




Panelling



PRODUCT NAME: 1 x 4 Aye & Btr Panel SF S1SCM KD WRC

PATTERN NAME: Tongue and Groove

GRADE:

Aye & Btr Flat Grain Clear

PROFILE:

S1SCM

NOMINAL THICKNESS: 1"

NOMINAL WIDTH: 4"

FINISHED THICKNESS:

11/16"

FINISHED WIDTH:

3" Face, 3-3/8" Overall Width

LENGTH: 3' - 20' Odd & Even

TRIM BACKS: Max 15% 3' - 5', Max 15% 6' - 7', Excess 3' - 5' nested on 8' pallet

GREEN / KILN DRIED: Kiln Dried

GRAIN: MG

SOLID / FJ: Solid

PRODUCT LINE:

PULLED TO LENGTH / NESTED:

Nested

PACKAGE SIZE:

3000 fbm

HEIGHT:

6 Bundles

WIDTH:

13 Bundles

PIECES PER BUNDLE:

6

END CAPS:

Yes

PAPER WRAP / BOXED:

Paper Wrap

FACE TO BE PROTECTED:

Smooth Face

COMMENTS: Net Face Width 3"

LAST UPDATED:

August 22, 2018